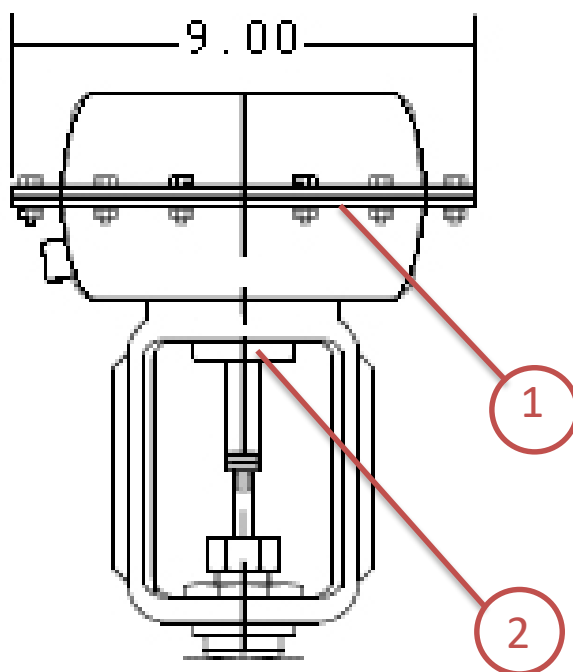




Automatic Valve Actuator Seal Kit (for CPI P/N 1000704)

CPI P/N – 7000017



CONTENTS

- | | |
|---|----------------------------|
| 1 | Replacement Diaphragm Seal |
| 2 | Replacement Shaft Seal |

CryoPacific, Inc
1080 South Cypress Street, Suite A
La Habra, Ca 90631
Phone: (562) 697-7904 . Fax (714) 459-8266
Email: contact@cryopacific.com
Website: <http://cryopacific.com/>